

# Western Reitturnier



## AQHA Albuch Open

SADDLE SHOP  
★ TRADING ★

- Cup

23.+24.06.2018

89547 Dettingen/Albuch

DQHA  
REGIONALGRUPPE  
Baden-Württemberg



powered by

QH-Service

Pferdepension Späth

Hausener Str. 20 - 89547 Dettingen

Zuschauer sind  
herzlich willkommen!

DEUTSCHE  
QUARTER  
HORSE  
ASSOCIATION

AMERICAN  
QUARTER  
HORSE  
ASSOCIATION

**Samstag, 23. Juni 2018**

|                |   |
|----------------|---|
| <b>7:00</b>    | <b>103600 Stallions Two and Under / Entries: 2</b>            |
|                | <b>103700 Stallions Three and Over / Entries: 1</b>           |
|                | <b>173000 Performance Halter Stallions / Entries: 1</b>       |
|                | <b>203600 Amt Stallions Two &amp; Under / Entries: 1</b>      |
|                | <b>203700 Amt Stallions Three &amp; Over / Entries: 1</b>     |
| <b>7:20</b>    | <b>107100 Geldings Two and Under / Entries: 1</b>             |
|                | <b>107200 Geldings Three and Over / Entries: 3</b>            |
|                | <b>207200 Amt Geldings Three &amp; Over / Entries: 7</b>      |
|                | <b>407200 Youth Geldings Three &amp; Over / Entries: 4</b>    |
| <b>8:00</b>    | <b>105200 Mares Three and Over / Entries: 8</b>               |
|                | <b>175000 Performance Halter Mares / Entries: 1</b>           |
|                | <b>205200 Amt Mares Three &amp; Over / Entries: 3</b>         |
|                | <b>405200 Youth Mares Three &amp; Over / Entries: 3</b>       |
| <b>9:00</b>    | <b>DN120 R0-Einsteiger Showmanship At Halter / Entries: 5</b> |
|                | <b>212002 L1 Amt Showmanship at Halter / Entries: 10</b>      |
|                | <b>212000 Amt Showmanship at Halter / Entries: 8</b>          |
|                | <b>412002 L1 Youth Showmanship at Halter / Entries: 7</b>     |
|                | <b>412000 Youth Showmanship at Halter / Entries: 5</b>        |
| <b>10:45</b>   | <b>S008 Trail In Hand / Entries: 8</b>                        |
|                | <b>138004 L1 Trail / Entries: 16</b>                          |
|                | <b>438002 L1 Youth Trail / Entries: 8</b>                     |
|                | <b>438000 Youth Trail / Entries: 5</b>                        |
|                | <b>138000 Trail / Entries: 12</b>                             |
| <b>14:30</b>   | <b>DN340 R0-Einsteiger Reining / Entries: 2</b>               |
|                | <b>234002 L1 Amt Reining / Entries: 5</b>                     |
|                | <b>234000 Amt Reining / Entries: 2</b>                        |
| <b>15:15</b>   | <b>DN430 R0-Einsteiger Ranch Riding / Entries: 4</b>          |
|                | <b>243002 L1 Amt Ranch Riding / Entries: 7</b>                |
|                | <b>243000 Amt Ranch Riding / Entries: 8</b>                   |
| <b>16:15</b>   | <b>142004 L1 Western Pleasure / Entries: 13</b>               |
|                | <b>442002 L1 Youth Western Pleasure / Entries: 4</b>          |
|                | <b>442000 Youth Western Pleasure / Entries: 6</b>             |
|                | <b>440002 L1 Youth Western Horsemanship / Entries: 6</b>      |
|                | <b>440000 Youth Western Horsemanship / Entries: 5</b>         |
|                | <b>142000 Western Pleasure / Entries: 8</b>                   |
| <b>18:00</b>   | <b>180 R0-VRH Ranch Riding / Entries: 14</b>                  |
| <b>anschl.</b> | <b>181 R0-VRH Ranch Trail / Entries: 6</b>                    |
| <b>anschl.</b> | <b>S340 Jackpot Reining / Entries: 1</b>                      |

Der Veranstalter behält sich vor, die Prüfungen bis zu 30 Minuten vor den genannten Zeiten zu beginnen. Jeder Teilnehmer ist für das rechtzeitige Erscheinen zur genannten Klasse selbst verantwortlich. Bitte auf die Ansagen achten.



## Sonntag, 24. Juni 2018

|       |   |
|-------|---|
| 8:00  | 144004 L1 Hunter Under Saddle / Entries: 10             |
|       | 244002 L1 Amt Hunter Under Saddle / Entries: 4          |
|       | 244000 Amt Hunter Under Saddle / Entries: 5             |
|       | 444002 L1 Youth Hunter Under Saddle / Entries: 5        |
|       | 444000 Youth Hunter Under Saddle / Entries: 5           |
| 9:30  | 144000 Hunter Under Saddle / Entries: 9                 |
|       | 452002 L1 Youth Hunt Seat Equitation / Entries: 2       |
|       | 452000 Youth Hunt Seat Equitation / Entries: 4          |
|       | 252002 L1 Amt Hunt Seat Equitation / Entries: 3         |
|       | 252000 Amt Hunt Seat Equitation / Entries: 4            |
| 10:30 | 136004 L1 Western Riding / Entries: 1                   |
|       | 236002 L1 Amt Western Riding / Entries: 1               |
|       | 436002 L1 Youth Western Riding / Entries: 1             |
|       | 436000 Youth Western Riding / Entries: 1                |
|       | 236000 Amt Western Riding / Entries: 2                  |
|       | 136000 Western Riding / Entries: 1                      |
| 11:30 | DN381 R0-Einsteiger Walk-Trot-Trail / Entries: 3        |
|       | DN380 R0-Einsteiger Trail / Entries: 9                  |
|       | 238002 L1 Amt Trail / Entries: 12                       |
|       | 238000 Amt Trail / Entries: 9                           |
|       | S380 Jackpot Trail / Entries: 7                         |
| 14:30 | 143004 L1 Ranch Riding / Entries: 2                     |
|       | 443002 L1 Youth Ranch Riding / Entries: 1               |
|       | 443000 Youth Ranch Riding / Entries: 2                  |
|       | 143000 Ranch Riding / Entries: 7                        |
|       | S430 Jackpot Ranch Riding / Entries: 5                  |
| 15:45 | 434002 L1 Youth Reining / Entries: 1                    |
|       | 434000 Youth Reining / Entries: 1                       |
|       | 134004 L1 Reining / Entries: 3                          |
|       | 134000 Reining / Entries: 1                             |
| 16:15 | DN421 R0-Einsteiger Walk Trot Pleasure / Entries: 2     |
|       | DY420 R0-Jugend Western Pleasure / Entries: 1           |
|       | DN420 R0-Einsteiger Western Pleasure / Entries: 2       |
|       | 242002 L1 Amt Western Pleasure / Entries: 3             |
|       | 242000 Amt Western Pleasure / Entries: 3                |
| 17:00 | DN401 R0-Einsteiger Walk Trot Horsemanship / Entries: 1 |
|       | DY400 R0-Jugend Western Horsemanship / Entries: 1       |
|       | DN400 R0-Einsteiger Western Horsemanship / Entries: 2   |
|       | 240002 L1 Amt Western Horsemanship / Entries: 7         |
|       | 240000 Amt Western Horsemanship / Entries: 5            |

|    |                      |                            |    |                      |                        |
|----|----------------------|----------------------------|----|----------------------|------------------------|
| 1  | I Know My Daddy      | Falaster; Melanie          | 29 | Heza Movin Star      | Heinle; Larissa        |
| 2  | JP Dont Jac Whiz Me  | Maurer; Leonie Alisa       | 30 | Dressed Blue Melody  | Wissenbach; Nicola     |
| 3  | GK Dun To Impress    | Maurer; Leonie Alisa       | 31 | Dreamfire Revolution | Wissenbach; Nicola     |
| 4  | CM Hollywood Gold    | Friz; Maren                | 32 | EHSANNONSREDVINTAGE  | Rau; Sophia            |
| 5  | Lady Radical         | Heinzmann; Eva             |    |                      | Rau; Birgit            |
| 6  | Mr Marley Dun It     | Vasilic; Sarah             | 33 | HC Wisely On Top     | Dorfmeister; Franziska |
| 7  | My Hot Roddin Chip   | Buehlmaier; Christin       | 34 | Annie Award          | Dietzel; Silvia        |
| 8  | PJ HurricaneWhizkey  | Huster; Jessica            | 35 | Oxygin               | Johnson; Alisha        |
| 9  | Lookin Grayt         | Huster; Jessica            | 36 | Powers Sunny Boy     | Weber; Andrea          |
| 10 | The One That I Want  | Franzini; Cid Joel         | 37 | Its A Blue Honor     | Meier-Bidmon; Gesa     |
| 11 | Good Time Blues      | Celine; Buss               | 38 | Blue Socks Only      | Stauss; Marlene        |
| 12 | Kings Leap Year Boy  | Schuller; Tamina           | 39 | MB Cool Lookin       | Meier-Bidmon; Gesa     |
| 13 | Makin My Own Way     | Reicherter; Sabrina        |    |                      | Stauss; Marlene        |
| 14 | Rocked N Style       | Ophoven; Maria             | 40 | Style And Perfection | Meier-Bidmon; Gesa     |
|    |                      | Krueger; Jurek             | 41 | Krymsunizer          | Lebermann; Maike       |
| 15 | Lancers Little Jack  | Riedele; Thomas            | 42 | EH Oneof Lenasfinest | Resch; Gabriele        |
| 16 | Lite Rock            | Gallitzendoerfer; Angelika | 43 | EH Glowingblackpearl | Kleindienst; Anita     |
|    |                      | Vogler; Tanja              | 44 | Only Look At Me      | Krech; Madlen          |
| 17 | Thee Big Technique   | Vogler; Tanja              | 45 | Showlution           | Haederle; Alexandra    |
| 18 | Thee Good Asset      | Burret; Lea                | 46 | Jumping Smart        | Kurowski; Melanie      |
| 19 | UP Only Hot Chocolat | Mueller; Katharina         | 47 | HH Saillin Rooster   | Aierle; Melanie        |
| 20 | Cry Me Cat           | Widlicky; Philipp          | 48 | Gun Socks Choice     | Berger; Johanna        |
|    |                      | Rommel; Beate              | 49 | IM A Sure Whiz       | Sliwa; Alexander       |
| 21 | Niftys Smoken Jack   | Fischer; Matthias          | 50 | TL Smart Gena        | Ludwig; Lasse Milan    |
| 22 | Aint Gonna Dance     | Obermueller; Nina B        | 51 | SL Coeuridium        | Ludwig; Sascha         |
|    |                      | Munz; Julia                |    |                      | Ludwig; Silke          |
| 23 | The Green Version    | Kirmaier; Amrei Sophia     | 52 | Little Farm Idol     | Hoefle; Mona           |
| 24 | Tabanos Peponita     | Langer; Walter             |    |                      | Keller; Elena          |
| 25 | Glos Einstein Delmas | Heinrich; Jasmin           | 53 | Shining Dark         | Fabisch; Roman         |
| 26 | Whiz Superior        | Wurst; Stephanie           | 54 | The Famous Mocca     | Heinle; Sophia         |
| 27 | SL Titanialeena      | Ludwig; Sascha             | 55 | TC Penny Pine        | Scheffel; Claudia      |
|    |                      | Seybold; Janine            | 56 | Ima Zippo Star       | Spaeth; Lara           |
| 28 | Ropin Starlight      | Andress; Benjamin          | 57 | Caramel              | Wilczinski; Dieter     |

## Starterlisten

In allen Klassen werden die Startreihenfolgen ausgelost!

Die aktuellen Starterlisten für die jeweiligen Klassen werden von der Meldestelle ausgehängt. Bitte beachten Sie auch die Lautsprecherdurchsagen. In dem Programmheft sind nur die bis Nennschluss eingegangenen Nennungen aufgeführt.

Jeder Teilnehmer ist für das rechtzeitige Erscheinen selbst verantwortlich.

## AQHA Albuch Open 2018

### Patterns aus dem Regelbuch

unter: <http://www.dqha.de/dqha/regelwerke/>

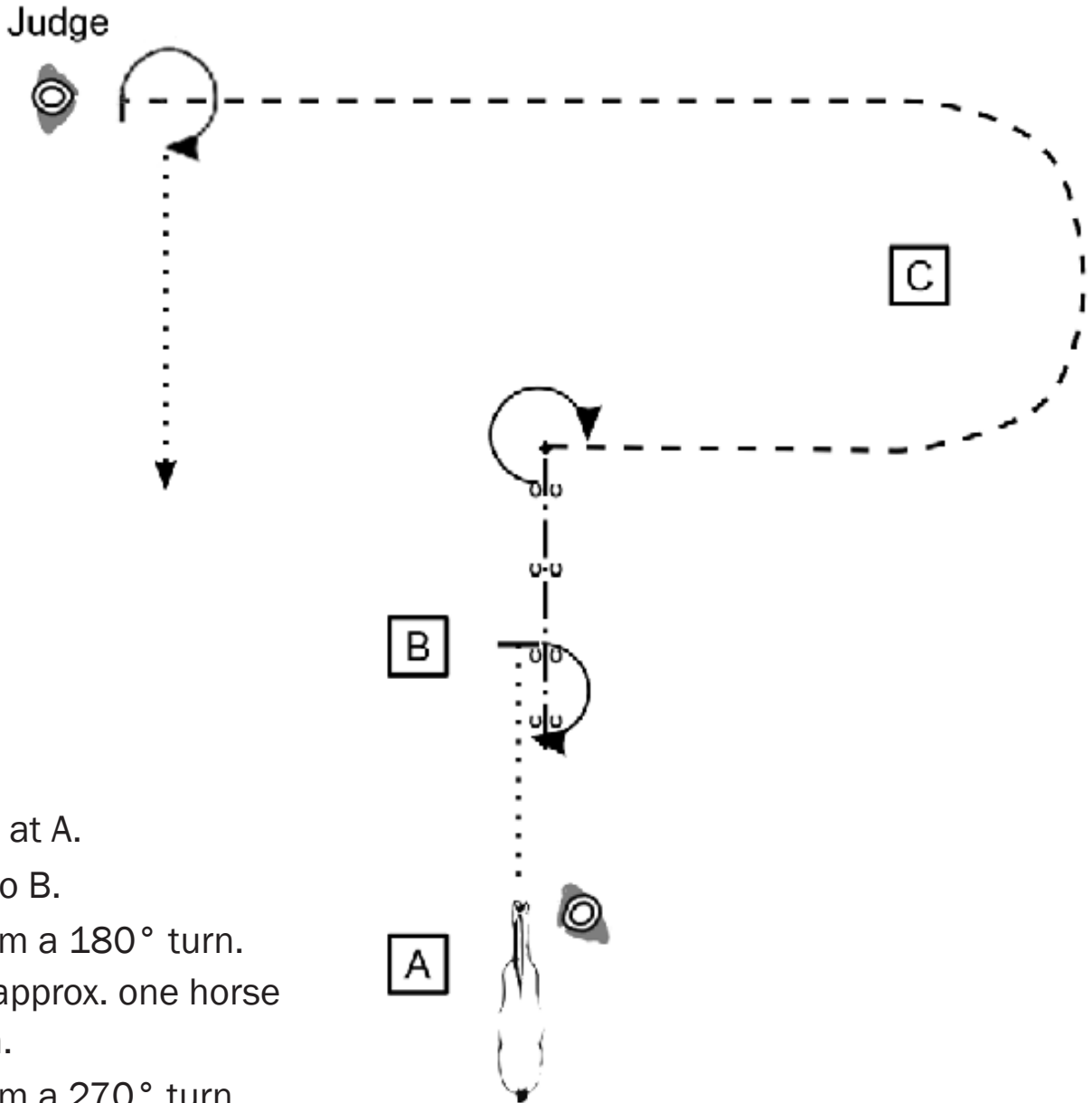
| Prüfungsnummer        | Division                        | Pattern #         |
|-----------------------|---------------------------------|-------------------|
| <b>Reining</b>        |                                 |                   |
| 134000 / S340         | Open / Jackpot Reining          | 9                 |
| 134004                | L1 Open (Green)                 | 8                 |
| 234000                | Amateur                         | 3                 |
| 234002                | L1 Amateur (Novice Amateur)     | 3                 |
| 434000                | Youth                           | 6                 |
| 434002                | L1 Youth (Novice Youth)         | 6                 |
| DN/DY340              | Rasseoffen                      | 3                 |
| <b>Western Riding</b> |                                 |                   |
| 136000                | Open                            | 1                 |
| 136004                | L1 Open (Green)                 | L1/Green 1        |
| 236000                | Amateur                         | 1                 |
| 236002                | L1 Amateur (Novice Amateur)     | L1/Green 1        |
| 436000                | Youth                           | 1                 |
| 436002                | L1 Youth (Novice Youth)         | L1/Green 1        |
| DN/DY360              | Rasseoffen                      | L1/Green 1        |
| <b>Ranch Riding</b>   |                                 |                   |
| 143000                | Open                            | 4                 |
| 143004                | L1 Open (Green)                 | 1                 |
| 243000                | Amateur                         | 2                 |
| 243002                | L1 Amateur (Novice Amateur)     | 2                 |
| 443000                | Youth                           | 1                 |
| 443002                | L1 Youth (Novice Youth)         | 1                 |
| DN/DY430              | Rasseoffen                      | 2                 |
| 180000                | VRH Ranch Riding (Quali ANIMAL) | (Pattern im Heft) |
| S430                  | Jackpot Ranch Riding            | (Pattern im Heft) |



Showmanship at Halter

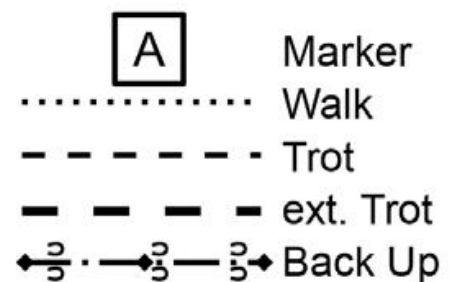
412000/412002 Youth/Novice Youth,

212002 Novice Amateur + D..120 Rasseoffen

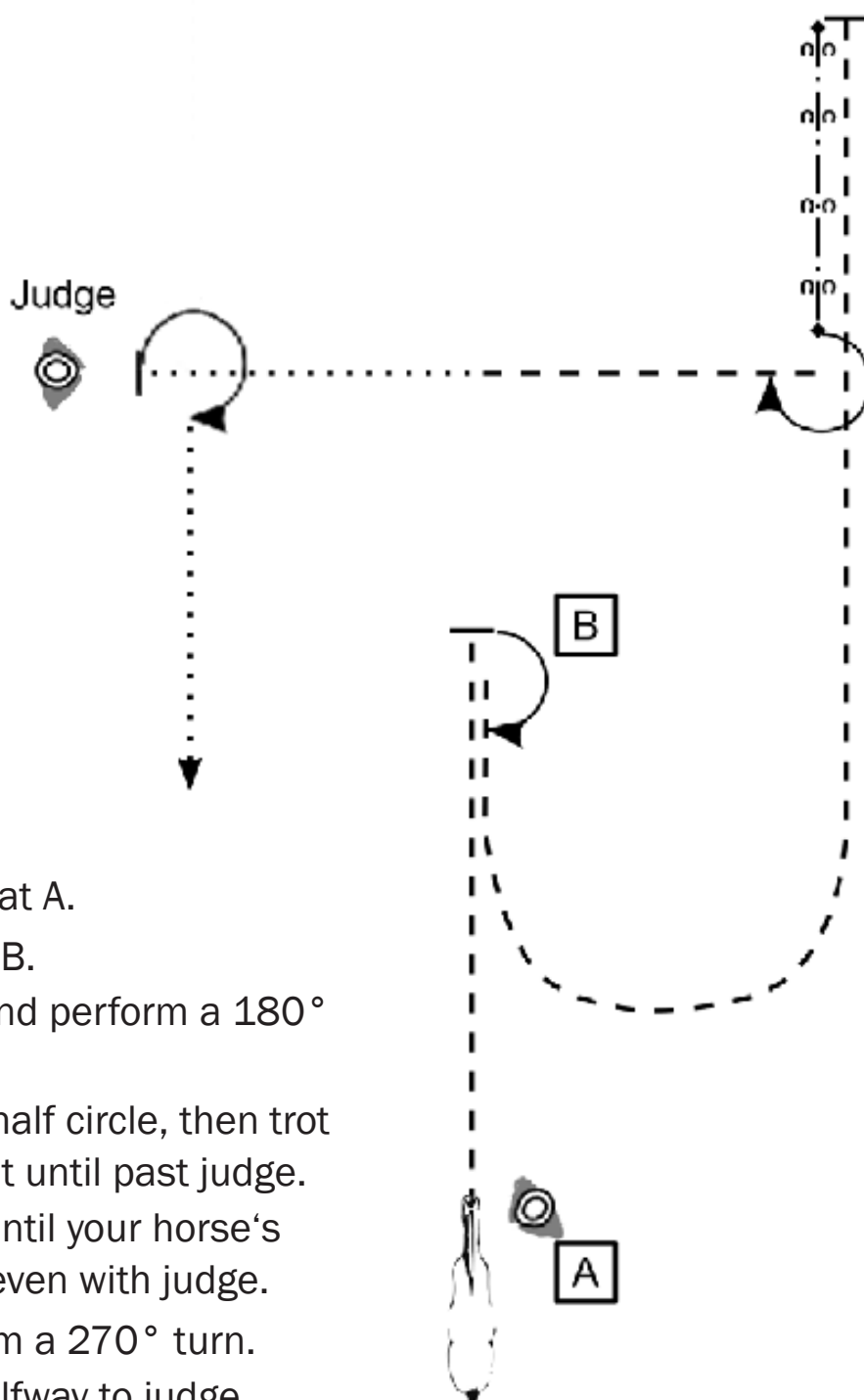


Be ready at A.

1. Walk to B.
2. Perform a 180° turn.
3. Back approx. one horse length.
4. Perform a 270° turn.
5. Trot around C and to judge.
6. Stop and set up for inspection.
7. When dismissed, perform a 270° turn.
8. Walk straight away from judge.

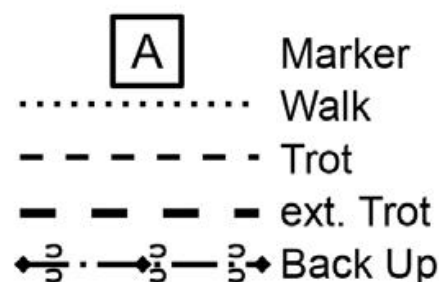


## Showmanship at Halter 212000 Amateur



Be ready at A.

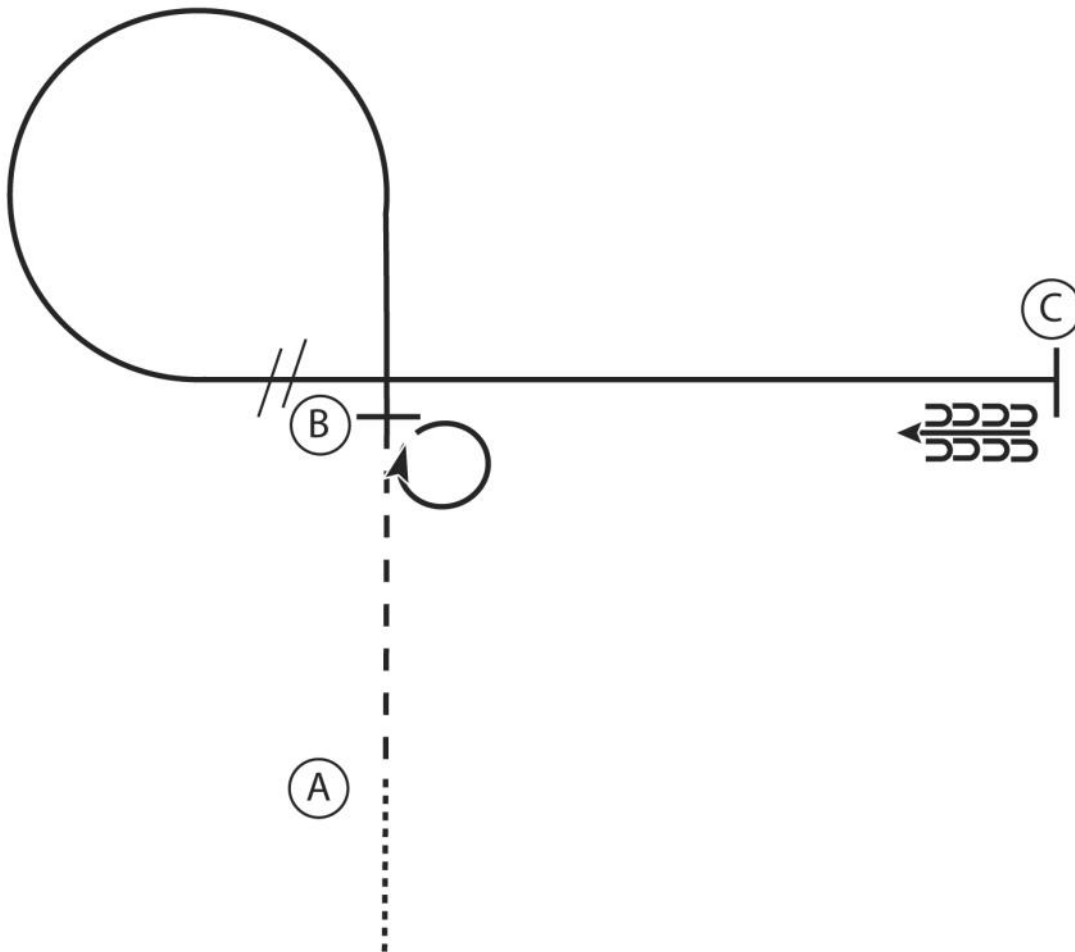
1. Trot to B.
2. Stop and perform a 180° turn.
3. Trot a half circle, then trot straight until past judge.
4. Back until your horse's hip is even with judge.
5. Perform a 270° turn.
6. Trot halfway to judge, then walk to judge. Stop and set up for inspection.
7. When dismissed, perform a 270° turn and walk away.



Western Horsemanship

440000/440002 Youth/ Novice Youth,

240002 Novice Amateur + D..400 Rasseoffen

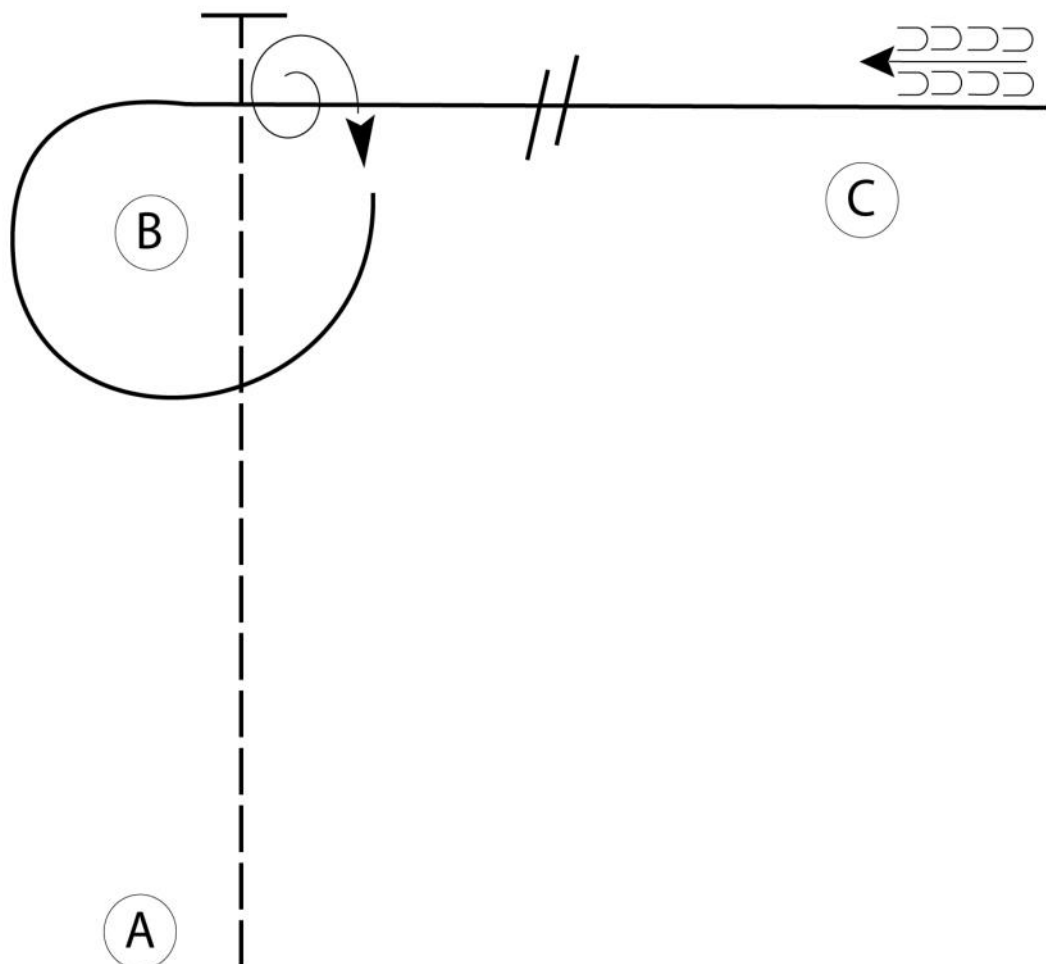


1. Walk to A
2. At A jog to B
3. Stop at B and perform a 360 degree turn to the right
4. Lope a circle to the left
5. At B perform a lead change and continue to C
6. At C stop and back 5 steps

|              |       |
|--------------|-------|
| Walk         | ..... |
| Jog          | ----- |
| Extended Jog | ----- |
| Lope         | ————— |
| Leg Yield    |       |
| Lead Change  | ↘     |
| Back         | ←←←←← |
| Marker       | (B)   |
| Sidepass     | ←←←←← |



## Western Horsemanship 240000 Amateur

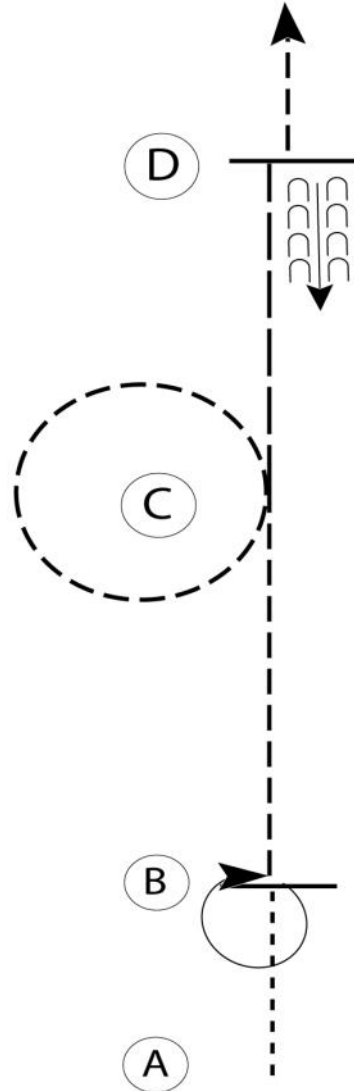


Be ready at A.

1. Perform an extended jog from A past B
  2. Stop past B and perform a 540 degree turn to the right.
  3. Lope on the right lead around B and continue towards C.
  4. Half way between B and C perform a simple lead change.
  5. Continue to lope past C and stop.
  6. Back to C.
- Follow the instructions of your ring steward.

|              |                      |
|--------------|----------------------|
| Walk         | -----                |
| Jog          | -----                |
| Extended Jog | -----                |
| Lope         | —————                |
| Leg Yield    |                      |
| Lead Change  | — / —                |
| Back         | ← C C C C<br>C C C C |
| Marker       | ⊙ B                  |
| Sidepass     | ←-----→              |

Western Horsemanship  
D..401 Walk-Trot, Rasseoffen

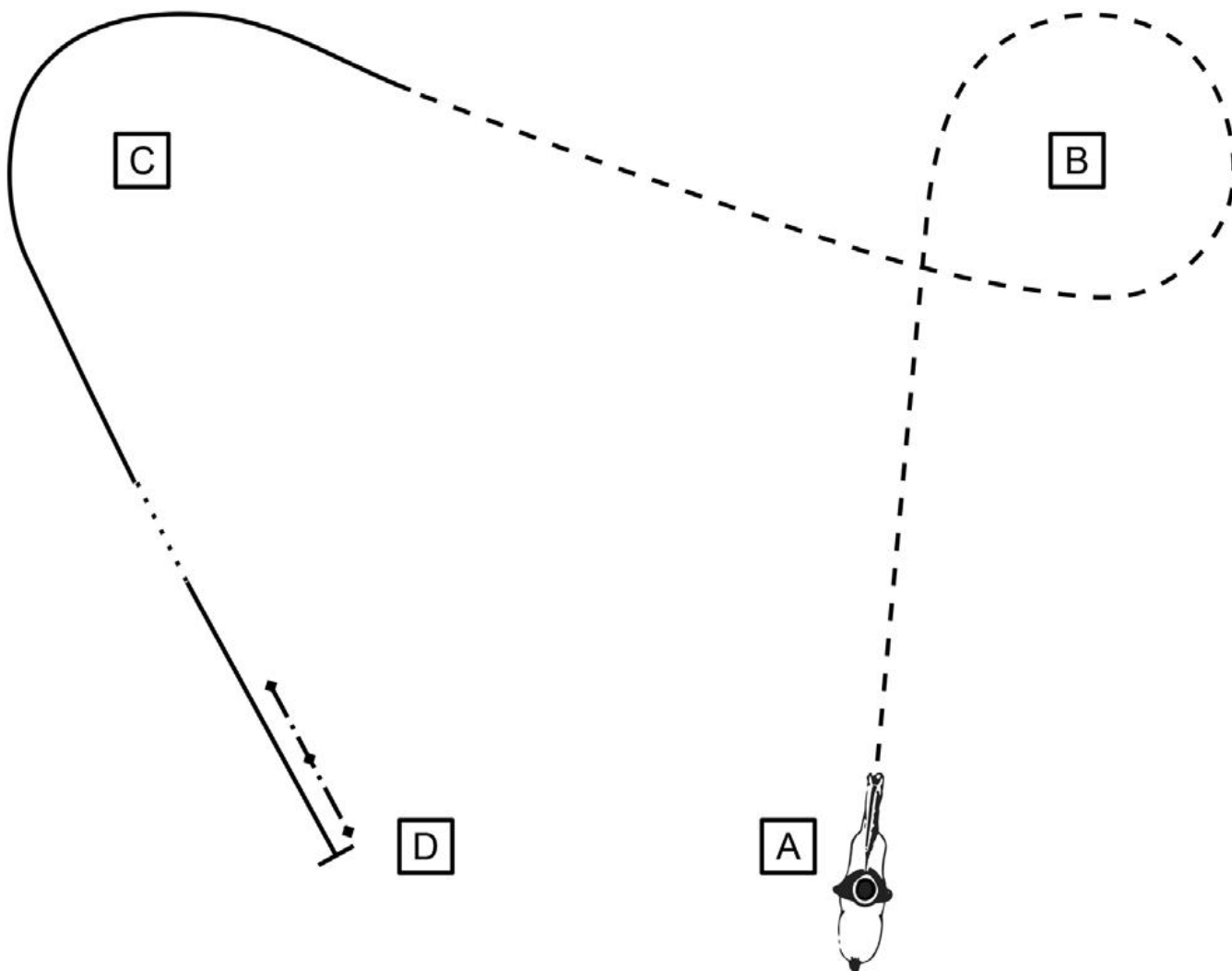


1. Walk from A to B
2. At B stop and perform a 360 degree turn on the hindquarters to the right
3. Jog to C, and jog a circle around C to the left
4. Extend the jog to D
5. At D stop, back five steps, and jog to the line

|              |             |
|--------------|-------------|
| Walk         | -----       |
| Jog          | - - - - -   |
| Extended Jog | - - - - -   |
| Lope         | —————       |
| Leg Yield    |             |
| Lead Change  | — / —       |
| Back         | ← c c c c c |
| Marker       | (B)         |
| Sidepass     | ←-----→     |

# Hunt Seat Equitation

**452002 L1 Novice Youth, 252002 L1 Novice Amateur**



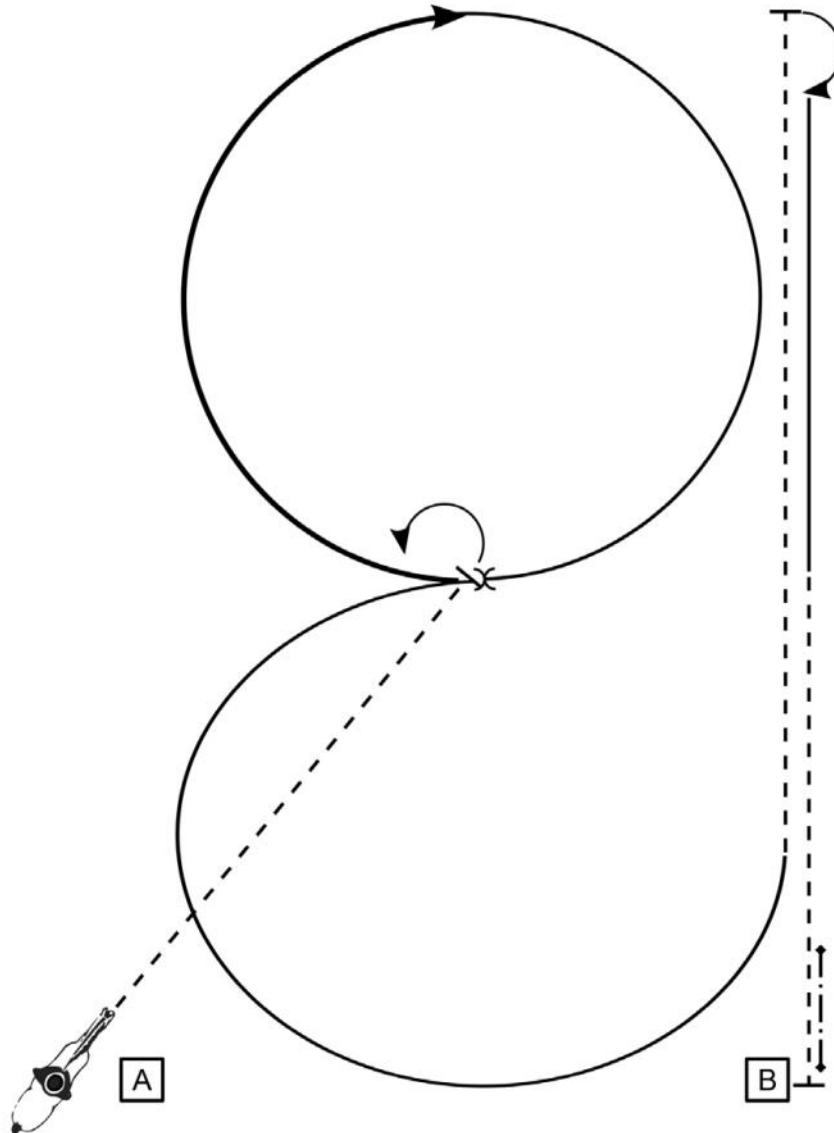
Be ready at A.

1. Trot on left diagonal around B.
2. Change diagonals at mid-point to C.
3. Canter on left lead around C.
4. At mid-point to D, walk 2 strides.
5. Depart on right lead to D.
6. Stop and back two horse length.

|               |             |
|---------------|-------------|
| A             | Marker      |
| .....         | Walk        |
| -----         | Trot        |
| - - - - -     | ext. Trot   |
| —————         | Canter      |
| —————         | Hd Gallop   |
| ◄ . . . . . ► | Backup      |
| no ..... →    | Sidepass    |
| ————— X       | Lead Change |

# Hunt Seat Equitation

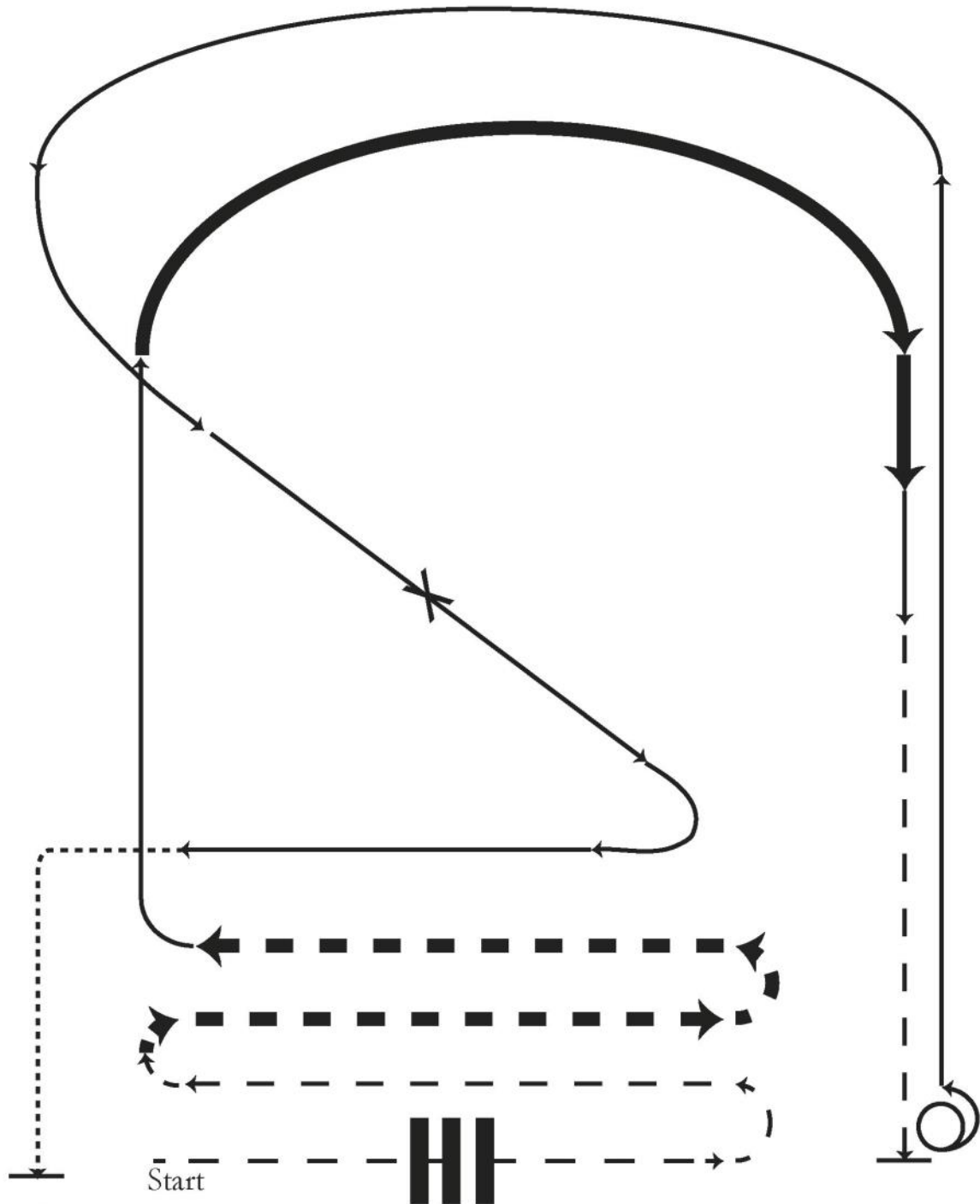
452000 Youth, 252000 Amateur



1. Sitting trot half way and posting trot left diagonal to stop.
2. Execute a 135° turn on the forehand to the left.
3. Hand gallop right lead half a circle.
4. Canter and change lead at center.
5. Canter 3/4 circle left lead, posting trot right diagonal.
6. Stop, execute a 180° turn on the forehand to the right.
7. Canter left lead, half way sitting trot.
8. Stop, back one horse length.

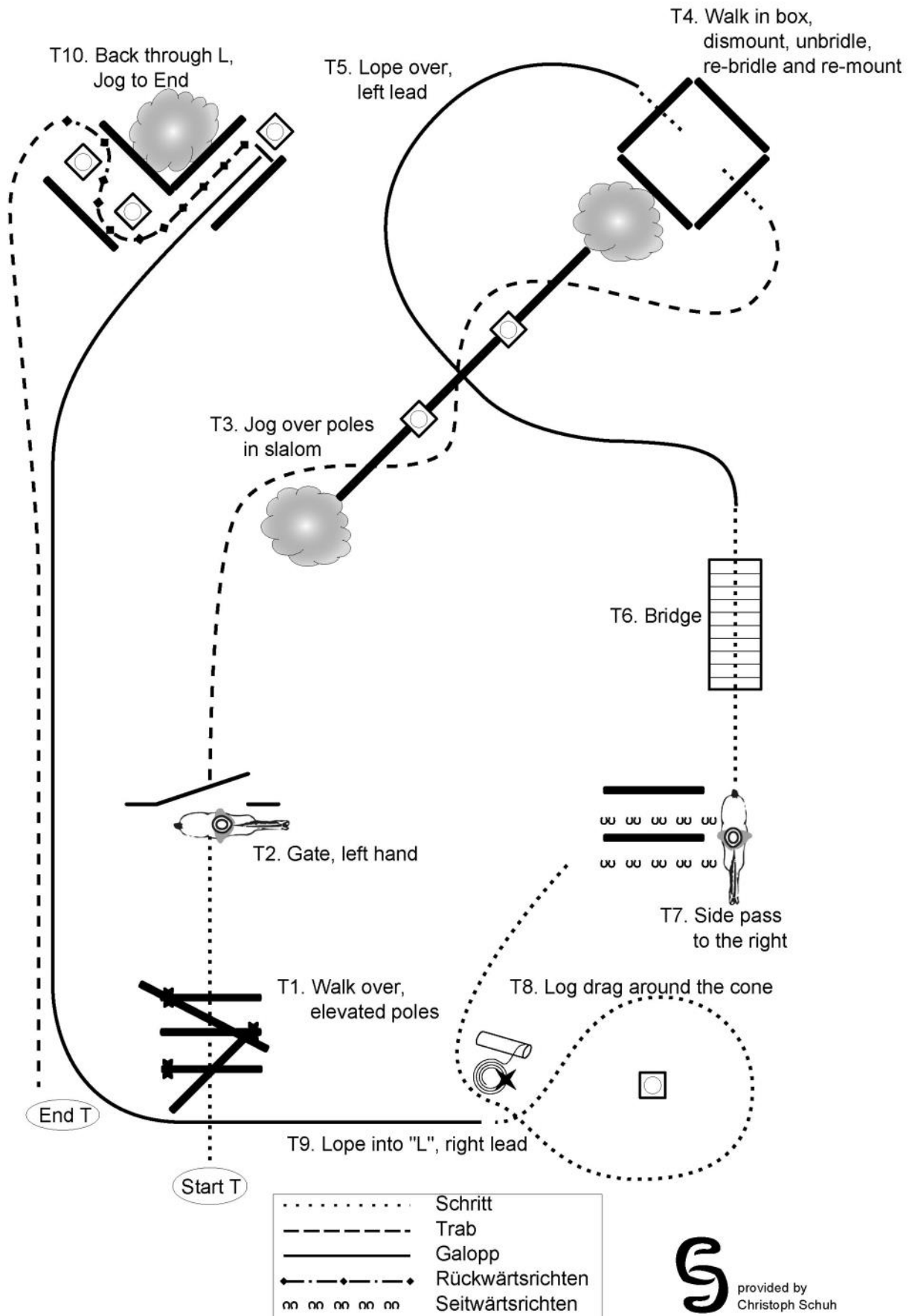
|               |             |
|---------------|-------------|
| A             | Marker      |
| .....         | Walk        |
| - - - - -     | Trot        |
| - - - - -     | ext. Trot   |
| —————         | Canter      |
| —————         | Hd Gallop   |
| ◄ - - - - - ► | Backup      |
| on .....▶     | Sidepass    |
| ————— X ————— | Lead Change |

## VRH Ranch Riding (mit Qualifikation ANIMAL) AQHA / Rasseoffen (Class in Class)



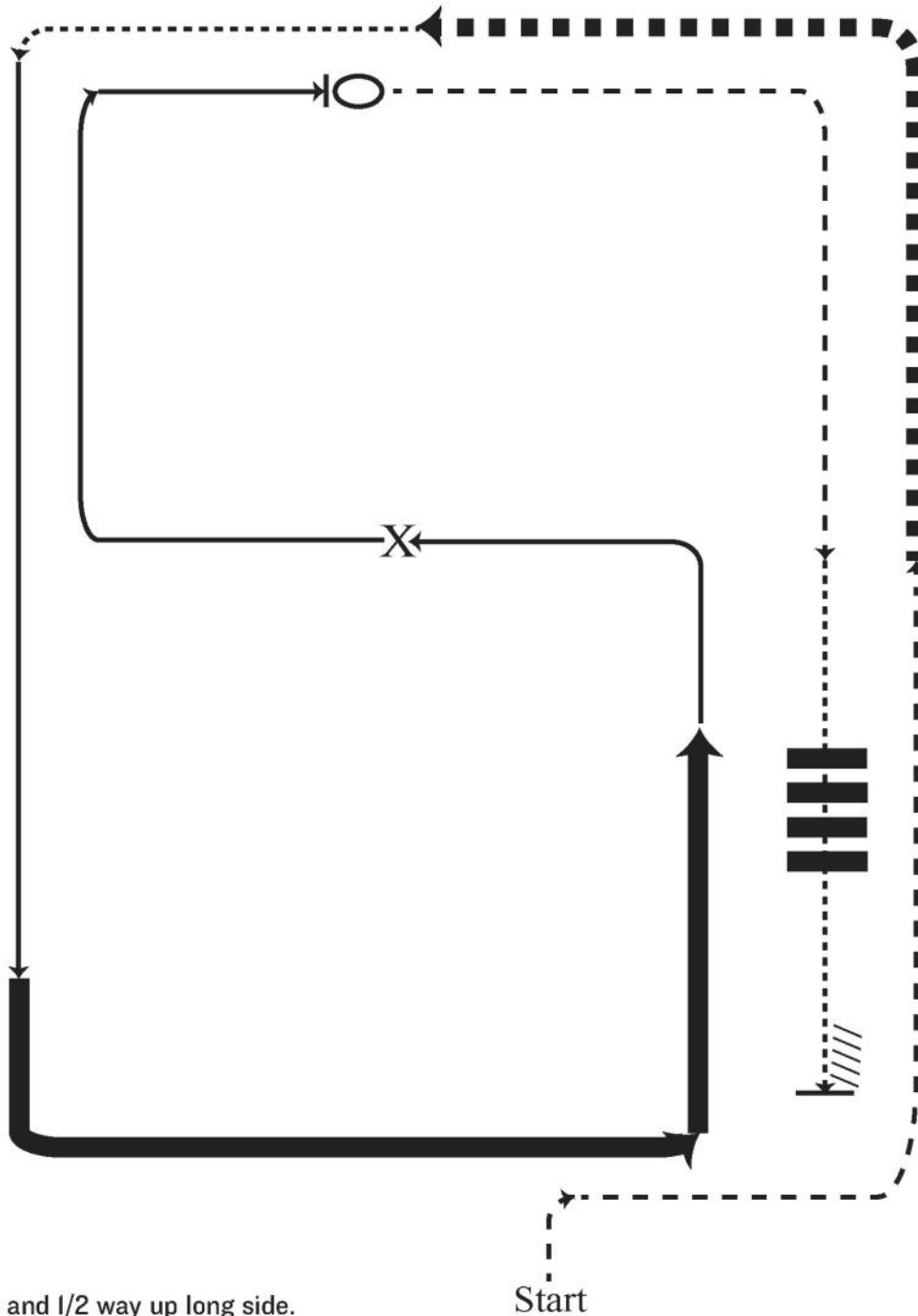
1. Jog over poles.
2. Jog.
3. Extended trot.
4. Lope-right lead.
5. Extended lope-collect to lope.
6. Jog.
7. 1 1/2 turns to the left.
8. Lope-left lead.
9. Change leads.
10. Lope-right lead.
11. Walk.
12. Stop and back.

**VRH Ranch Trail (mit Qualifikation für ANIMAL)  
AQHA / Rasseoffen (Class in Class)**



## Ranch Riding

### S430 Jackpot Ranch Riding



1. Jog in arena and 1/2 way up long side.
2. Extended trot around end and 1/2 way across end.
3. Walk around end.
4. Lope on left lead down long side.
5. Extended lope around end and up arena before slowing to a
6. working lope.
7. Change leads.
8. Lope on right lead to 1/2 way across end.
9. Stop. 360° turn either direction.
10. Jog around corner and 1/2 way down long side.
11. Walk, walk over logs and walk to end.
12. Stop and back 15 feet.

Trail

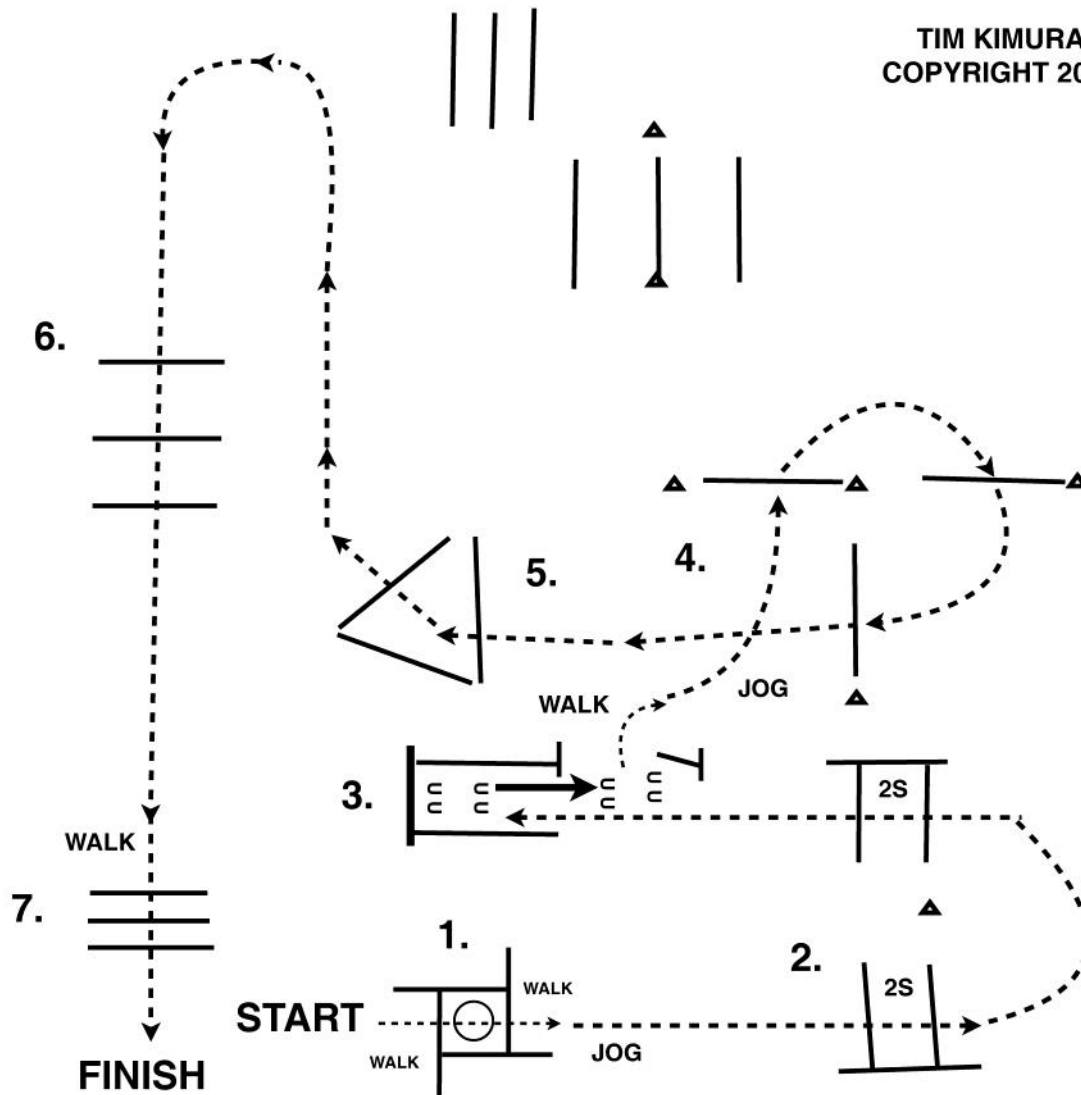
S008 Trail in Hand



SET 4 COURSE 8

IN-HAND CLASSES

TIM KIMURA  
COPYRIGHT 2018



1. WALK INTO BOX, EXECUTE A 360 TURN EITHER WAY, WALK OUT BOX.
2. JOG OVER 4 POLES, JOG INTO CHUTE.
3. BACK THRU CHUTE UP TO GATE. GATE: WALK THRU OPEN GATE.
4. JOG OVER 3 POLES, JOG AROUND CONES.
5. JOG THRU TRIANGLE
6. JOG OVER 3 POLES.
7. STOP OR BREAK TO THE WALK, WALK OVER 3 POLES.



## Trail

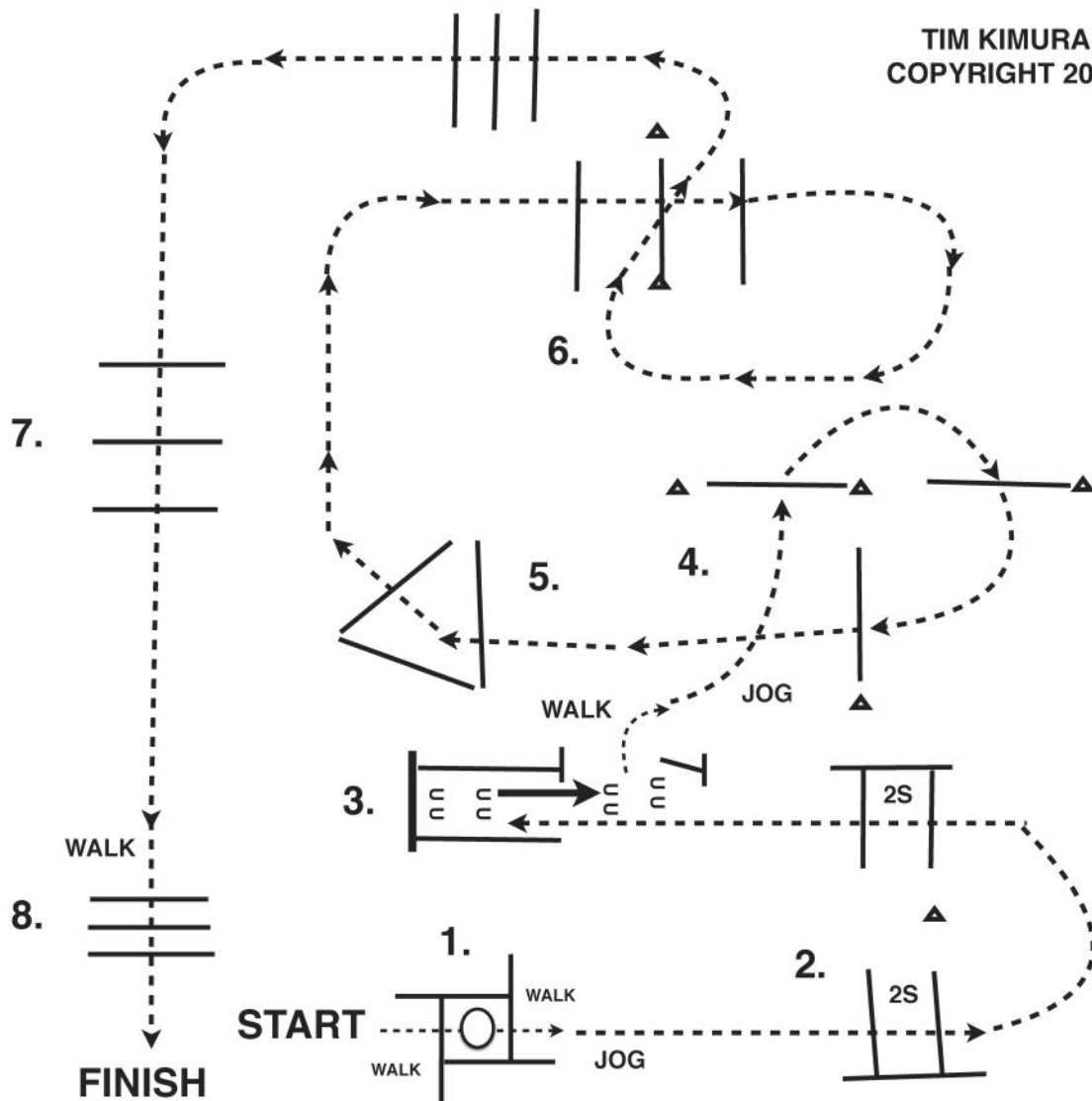
### D..381 Walk Trot Trail, Rasseoffen



#### SET 4 COURSE 7

#### WALK-JOG

TIM KIMURA  
COPYRIGHT 2018



- |   |  |
|---|--|
| <ol style="list-style-type: none"> <li>1. WALK INTO BOX, EXECUTE A 360 TURN EITHER WAY, WALK OUT BOX.</li> <li>2. JOG OVER 4 POLES, JOG INTO CHUTE.</li> <li>3. BACK THRU CHUTE UP TO GATE. GATE: WALK THRU OPEN GATE.</li> <li>4. JOG OVER 3 POLES, JOG AROUND CONES.</li> <li>5. JOG THRU TRIANGLE AND JOG OVER 2 POLES. PLUS COG OVER NEXT 3 POLES TOO.</li> </ol> | <ol style="list-style-type: none"> <li>6. JOG OVER CENTER POLE AND KEEP JOGING OVER 3 MORE POLES.</li> <li>7. JOG OVER 3 POLES.</li> <li>8. STOP OR BREAK TO THE WALK, WALK OVER 3 POLES.</li> </ol> |
|---|--|

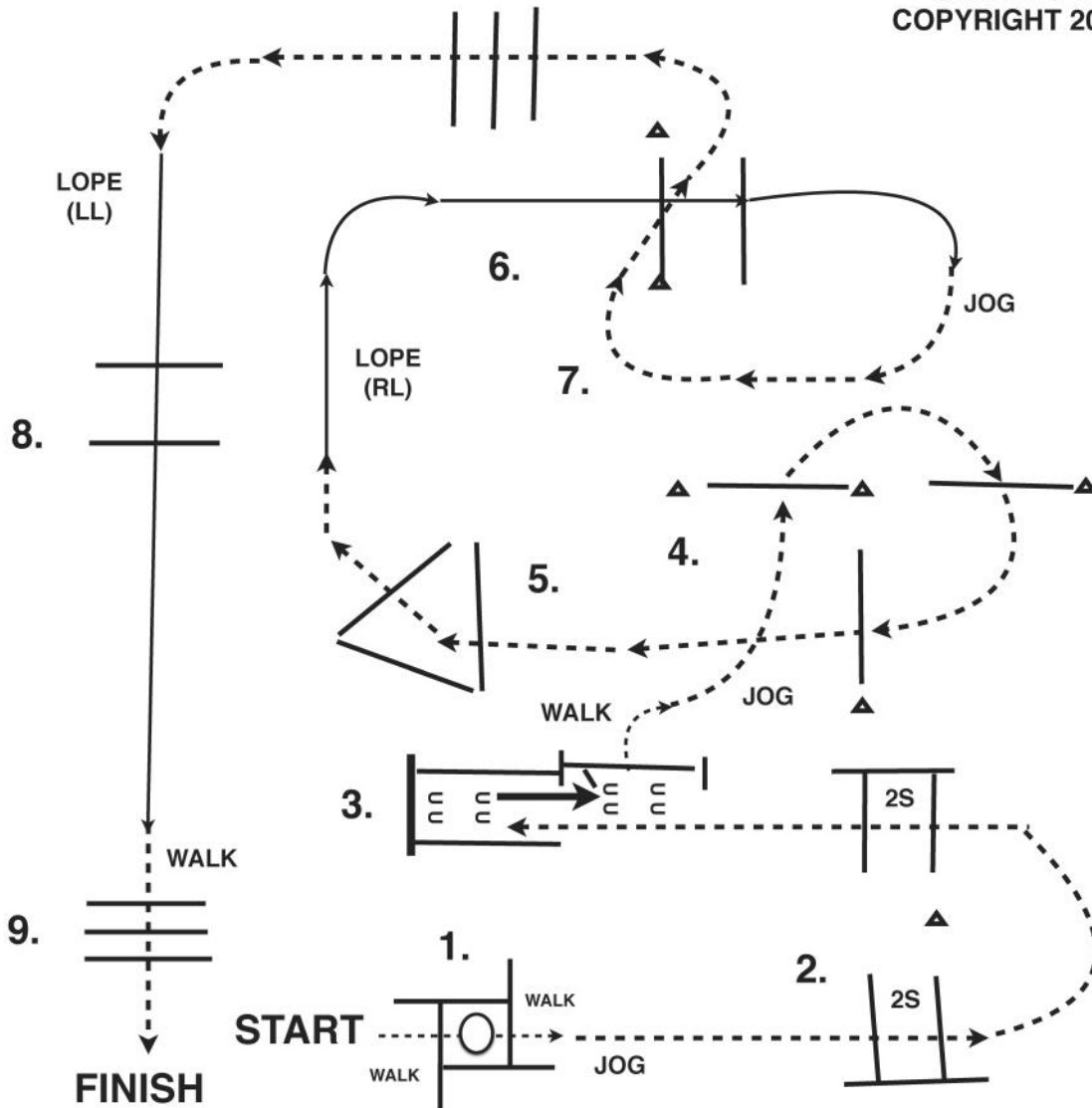
**Trail 438002 L1 Nov. Youth,  
238002 L1 Nov. Amateur, D..380 Rasseoffen**



**SET 4**

**COURSE 3**

TIM KIMURA  
COPYRIGHT 2018



- |   |   |
|---|---|
| <ol style="list-style-type: none"> <li>1. WALK INTO BOX, EXECUTE A 360 TURN EITHER WAY, WALK OUT BOX.</li> <li>2. JOG OVER 4 POLES, JOG INTO CHUTE.</li> <li>3. BACK THRU CHUTE UP TO GATE. GATE: WALK THRU OPEN GATE.</li> <li>4. JOG OVER 3 POLES, JOG AROUND CONES.</li> <li>5. JOG THRU TRIANGLE AND JOG OVER 2 POLES.</li> </ol> | <ol style="list-style-type: none"> <li>6. LOPE OVER 3 POLES (RIGHT LEAD).</li> <li>7. BREAK TO THE JOG, JOG OVER CENTER POLE AND KEEP JOGING OVER 3 MORE POLES.</li> <li>8. LOPE OVER 3 POLES. (LEFT LEAD)</li> <li>9. STOP OR BREAK TO THE WALK, WALK OVER 3 POLES.</li> </ol> |
|---|---|

## Trail

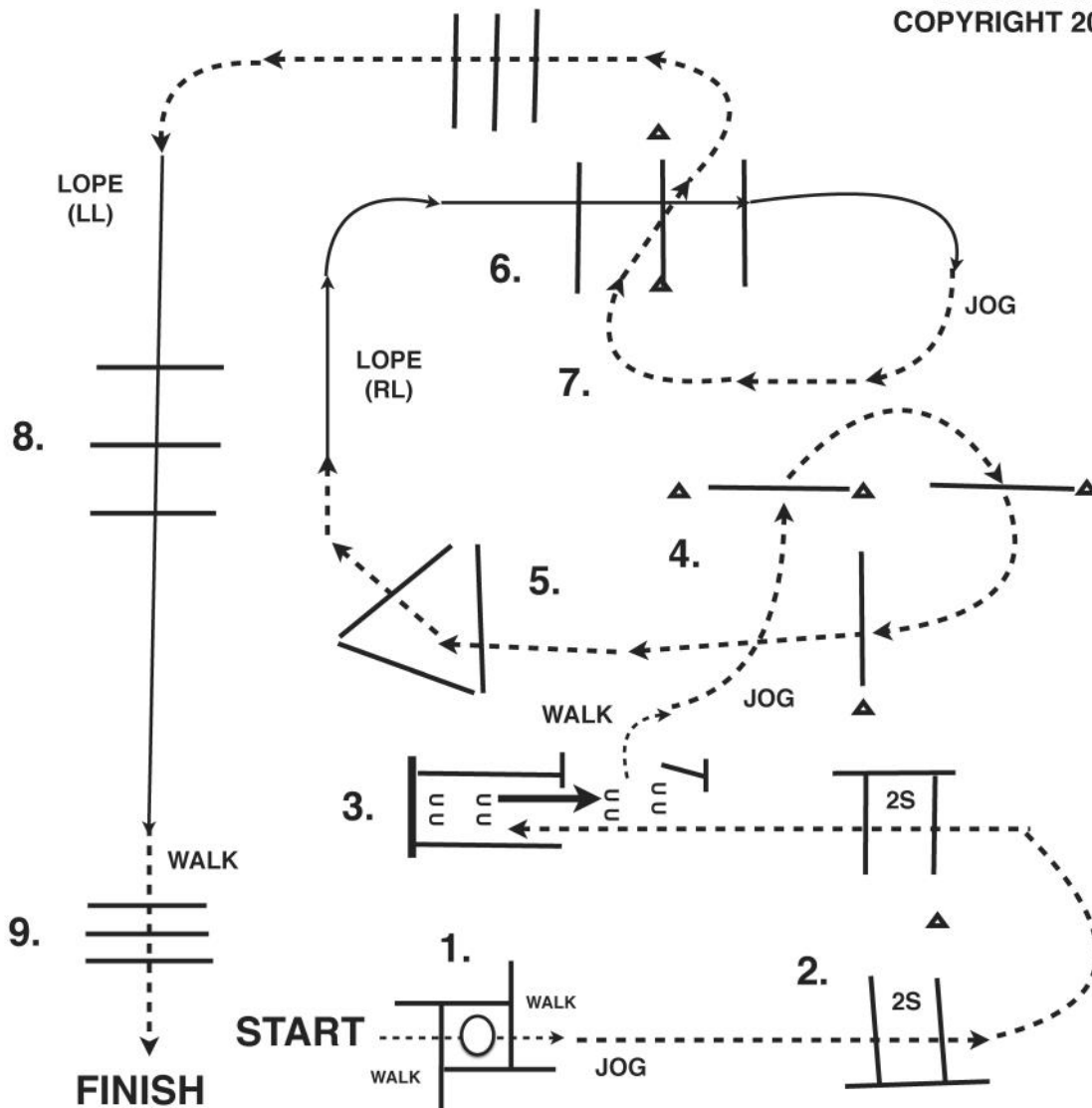
### 138004 L1 Green, 438000 Youth



### SET 4

### COURSE 2

TIM KIMURA  
COPYRIGHT 2018



- |   |   |
|---|---|
| <ol style="list-style-type: none"> <li>1. WALK INTO BOX, EXECUTE A 360 TURN EITHER WAY, WALK OUT BOX.</li> <li>2. JOG OVER 4 POLES, JOG INTO CHUTE.</li> <li>3. BACK THRU CHUTE UP TO GATE. GATE: WALK THRU OPEN GATE.</li> <li>4. JOG OVER 3 POLES, JOG AROUND CONES.</li> <li>5. JOG THRU TRIANGLE AND JOG OVER 2 POLES.</li> </ol> | <ol style="list-style-type: none"> <li>6. LOPE OVER 3 POLES (RIGHT LEAD).</li> <li>7. BREAK TO THE JOG, JOG OVER CENTER POLE AND KEEP JOGING OVER 3 MORE POLES.</li> <li>8. LOPE OVER 3 POLES. (LEFT LEAD)</li> <li>9. STOP OR BREAK TO THE WALK, WALK OVER 3 POLES.</li> </ol> |
|---|---|

Trail

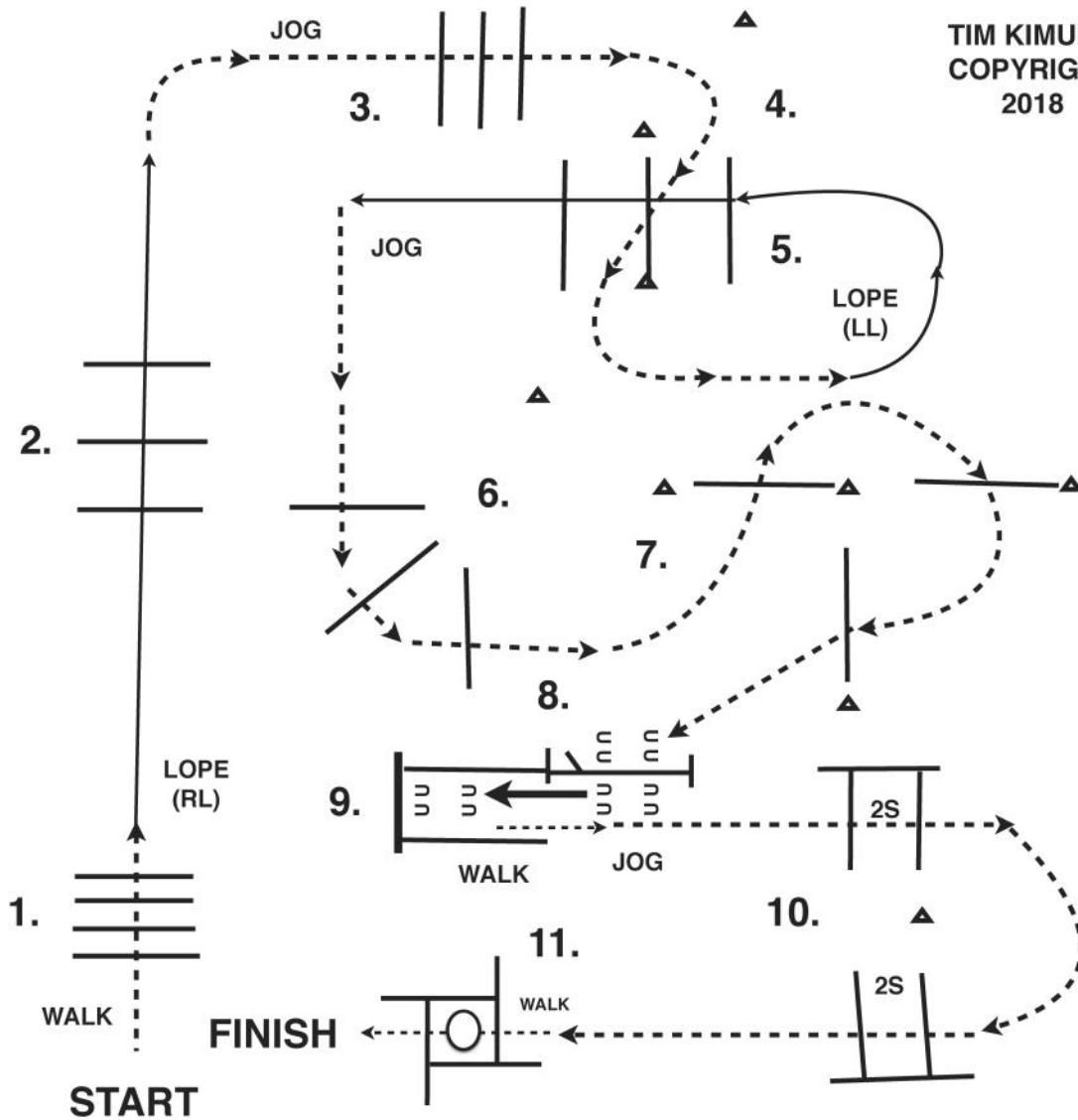
238000 Amateur



SET 4

COURSE 1

TIM KIMURA  
COPYRIGHT  
2018



1. WALK OVER 4 POLES
2. LOPE OVER 3 POLES (RIGHT LEAD).
3. JOG OVER 3 POLES.
4. JOG THRU SERPENTINE.
5. LOPE OVER 3 POLES (LEFT LEAD)
6. JOG OVER 3 POLES.
7. JOG THRU SERPENTINE  
JOG OVER 3 POLES.  
JOG UP TO GATE.

8. GATE: LEFT HAND, OPEN GATE  
WALK OVER POLE, CLOSE GATE.
9. BACK THRU POLES, WALK FOWARD.
10. JOG OVER 4 POLES.
11. STOP OR BREAK TO WALK  
WALK INTO BOX,  
EXECUTE A 360 TURN EITHER WAY,  
WALK OUT BOX, WALK OVER POLE.

## Trail

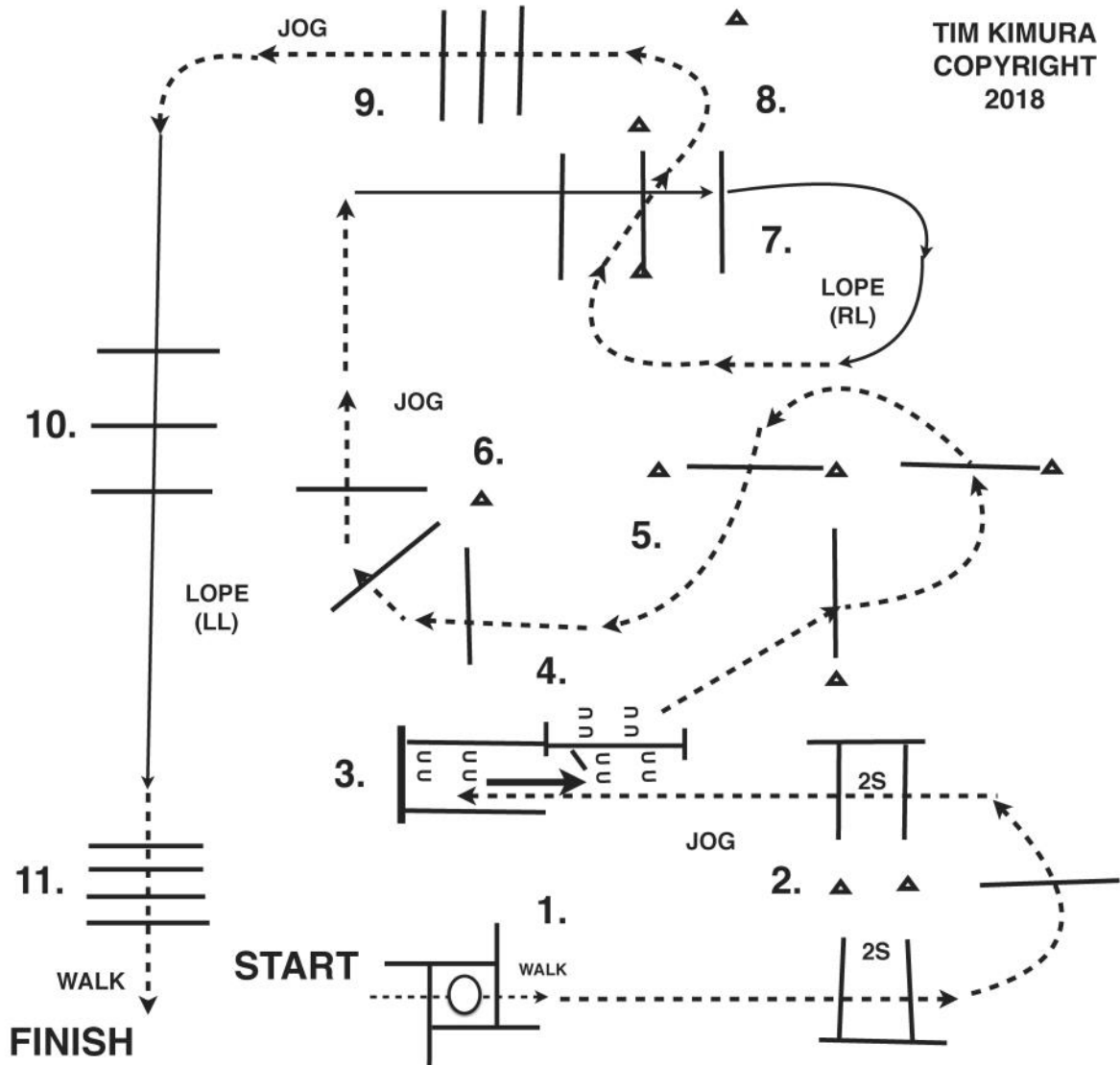
### 138000 Open / S380 Jackpot Trail



#### SET 4

#### COURSE 4

TIM KIMURA  
COPYRIGHT  
2018



1. WALK INTO BOX, TURN 360° EITHER WAY, WALK OUT
2. JOG OVER POLES AND INTO CHUTE
3. BACK UP TO GATE
4. WORK GATE RIGHT HAND
5. JOG SERPENTNE
6. CONTINUE JOG OVER POLES
7. LOPE OVER POLES RIGHT LEAD
8. JOG SERPENTINE
9. CONTINUE JOG OVER POLES
10. LOPE OVER POLES LEFT LEAD

11. WALK OVER POLES